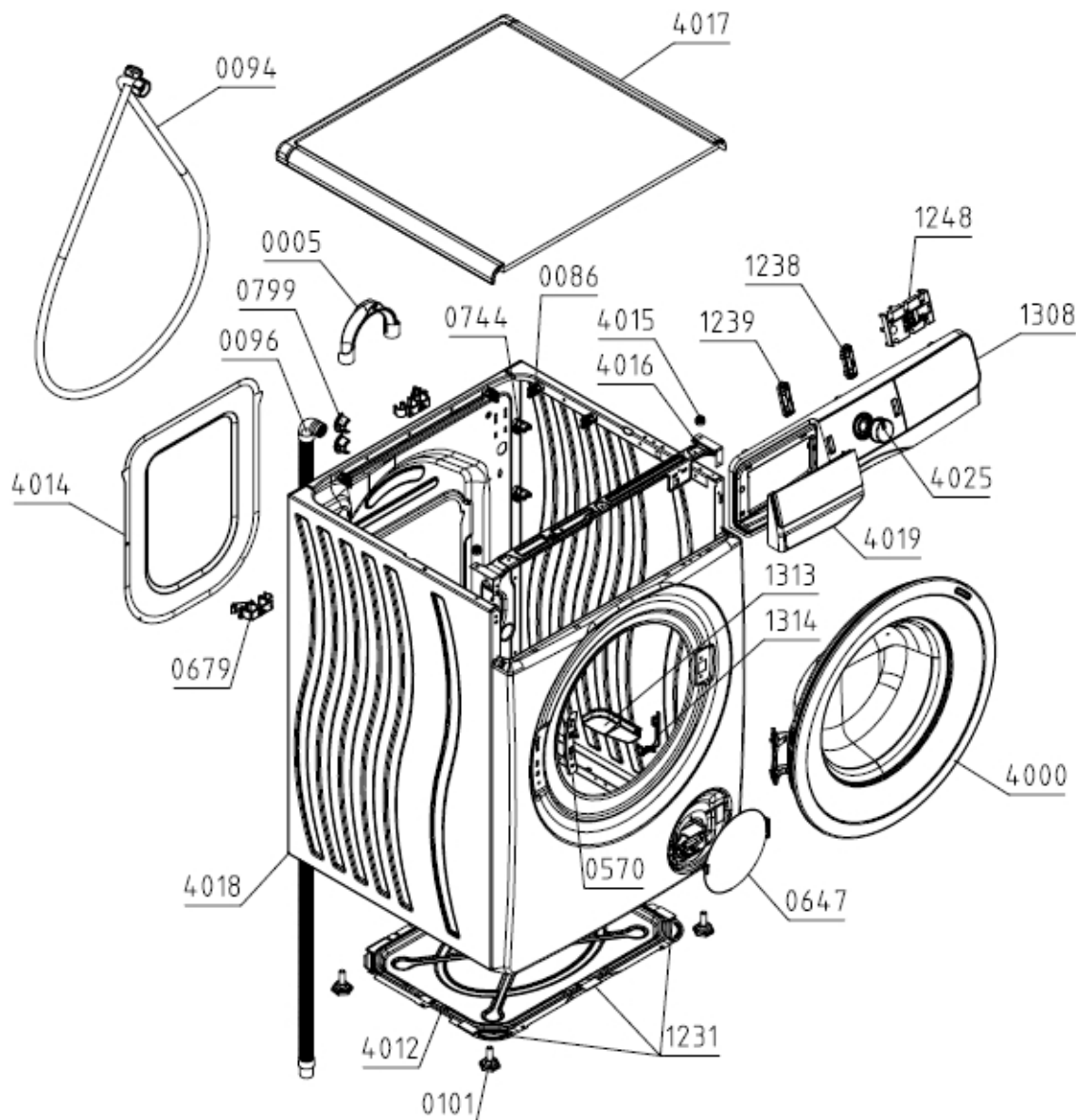


Type (Modèle Usine) PS15/36140  
Modèle WFGE90141VM  
ID Produit / ART. No 739109

Marque HISENSE  
Version 20. 08. 2021  
N° d'Index 04

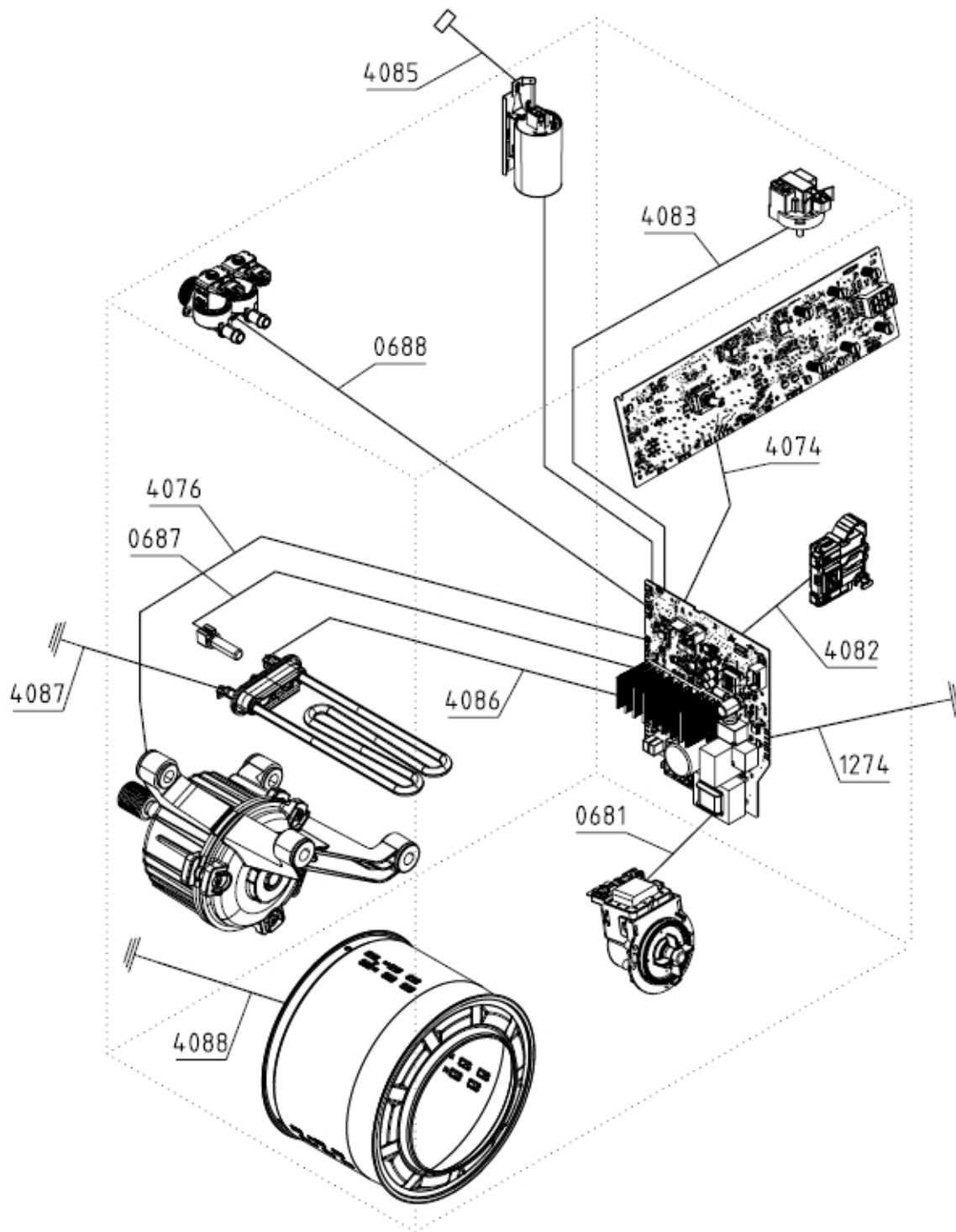
**021440**



Position	Identifiant	Désignation	Quantité	Validité	Référence Pièce
0086	547104	CLAMP PS	12		G547104
0094	157474	SUPPLY HOSE HV PS	1		G157474

Position	Identifiant	Désignation	Quantité	Validité	Référence Pièce
0096	699606	DISCHARGE HOSE NK PS-15	1		G699606
0101	816544	ADJUSTABLE FOOT PS-10 KPL	4		G816544
0570	466627	HINGE PLATE PS-15	1		G466627
0647	579303	FILTER COVER PS-15 KPL	1		G579303
0679	823979	HOSE HOLDER PS-20	2		G823979
0799	148999	RUBBER SEAL PS-03	1		G148999
1238	817448	PAUSE KEY L0 070 PS/SP-20 HSN	1		G817448
1239	817447	SWITCH ON KEY L0 070 PS/SP-20 HSN	1		G817447
1248	584994	PHASE DISPLAY HOLDER PS-15	1		G584994
1308	825541	CTRL PANEL/DISPLAY L0/14 PS-20 HSN FR	1		G825541
1313	829842	PROTECTION PMCU PS-20	1		G829842
1314	829841	WIRING HARNESS HOLDER BPM PS-20	2		G829841
4000	687533	DOOR PS-15 BK ASSY	1		G687533
4014	466535	REAR WALL COVER PS-15 F	1		G466535
4015	578966	WORKTOP PLUG PS-15 ASSY	2		G578966
4016	808503	CONTROL PANEL HOLDER PS-15 MOLLIS	1		G808503
4017	579100	WORKTOP 60 PS-15 KPL	1		G579100
4018	714419	HOUSING 60-1600 PS-15 LA070-S	1		G714419
4019	824443	SOAP DISPENSER HANDLE PS-20 HSN SIG	1		G824443
4025	824790	CONTROL KNOB PS/SP-20 HSN KPL	1		G824790

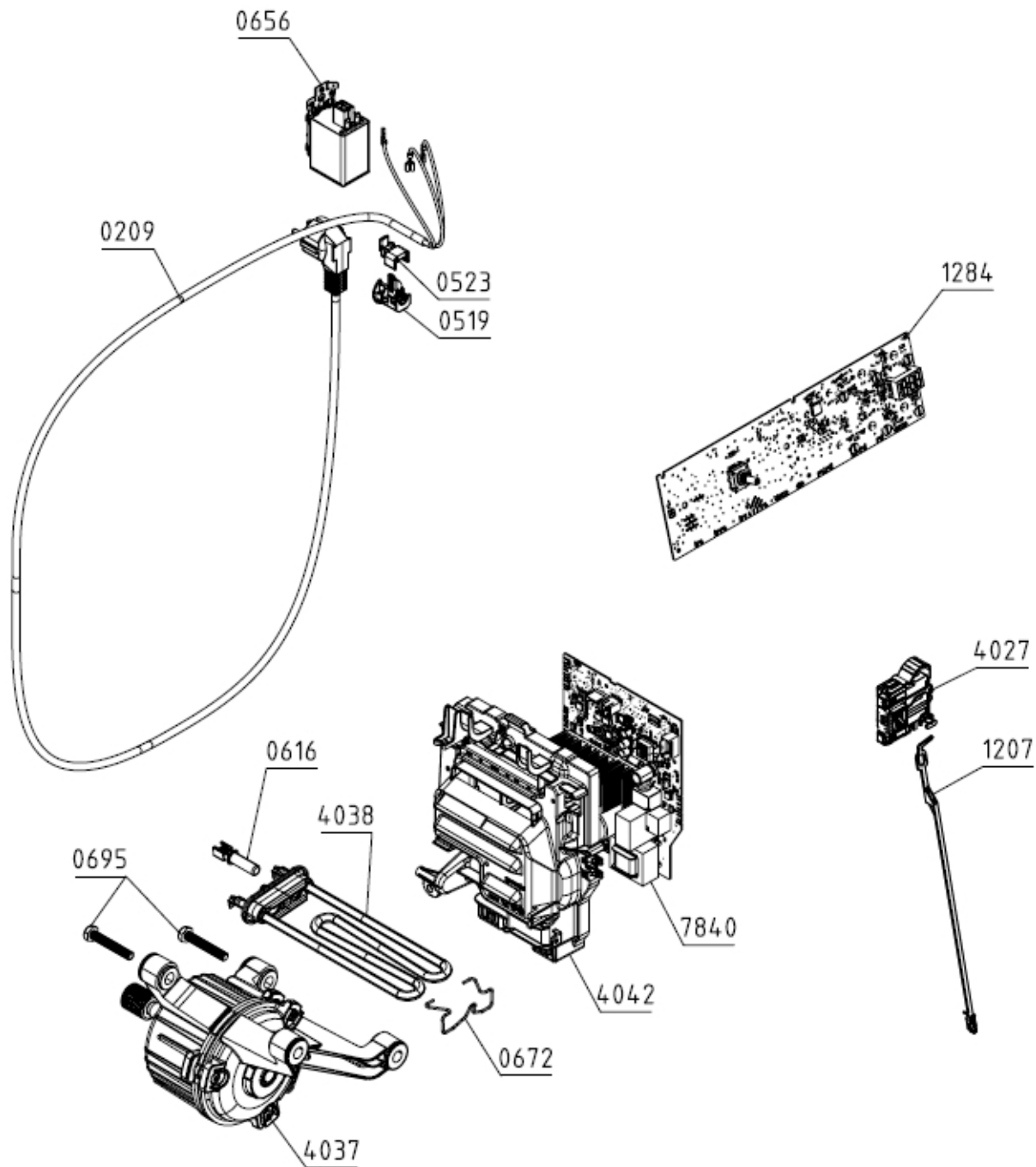
**023433**



Position	Identifiant	Désignation	Quantité	Validité	Référence Pièce
0681	579978	WIRING HARNESS - PUMP 60/EN PS-15	1		G579978
0687	579935	WIRING HARNESS - NTC EN PS-15	1		G579935
0688	579957	WIRING HARNESS DOUBLE VALVE EN PS-15	1		G579957
1274	579925	CONDUCTOR EARTHING SU PS-15	1		G579925
4074	579998	WIRING HARNESS CONTROL UNIT 60 PS-15	1		G579998
4076	579934	WIRING HARNESS MOTOR EN PS-15	1		G579934
4082	579991	WIRING HARNESS DOOR SWITCH 60/EN PS-15	1		G579991

Position	Identifiant	Désignation	Quantité	Validité	Référence Pièce
4083	579994	WIRING HARNESS SENSOR LEVEL 60/EN PS-15	1		G579994
4085	579923	WIRING HARNESS POWER SUPPLY EN PS-15	1		G579923
4086	579924	WIRING HARNESS HEATER EN PS-15	1		G579924
4087	688018	GROUNDING HEATER PS-15	1		G688018
4088	466643	GROUNDING DRUM BM PS-15	1		G466643

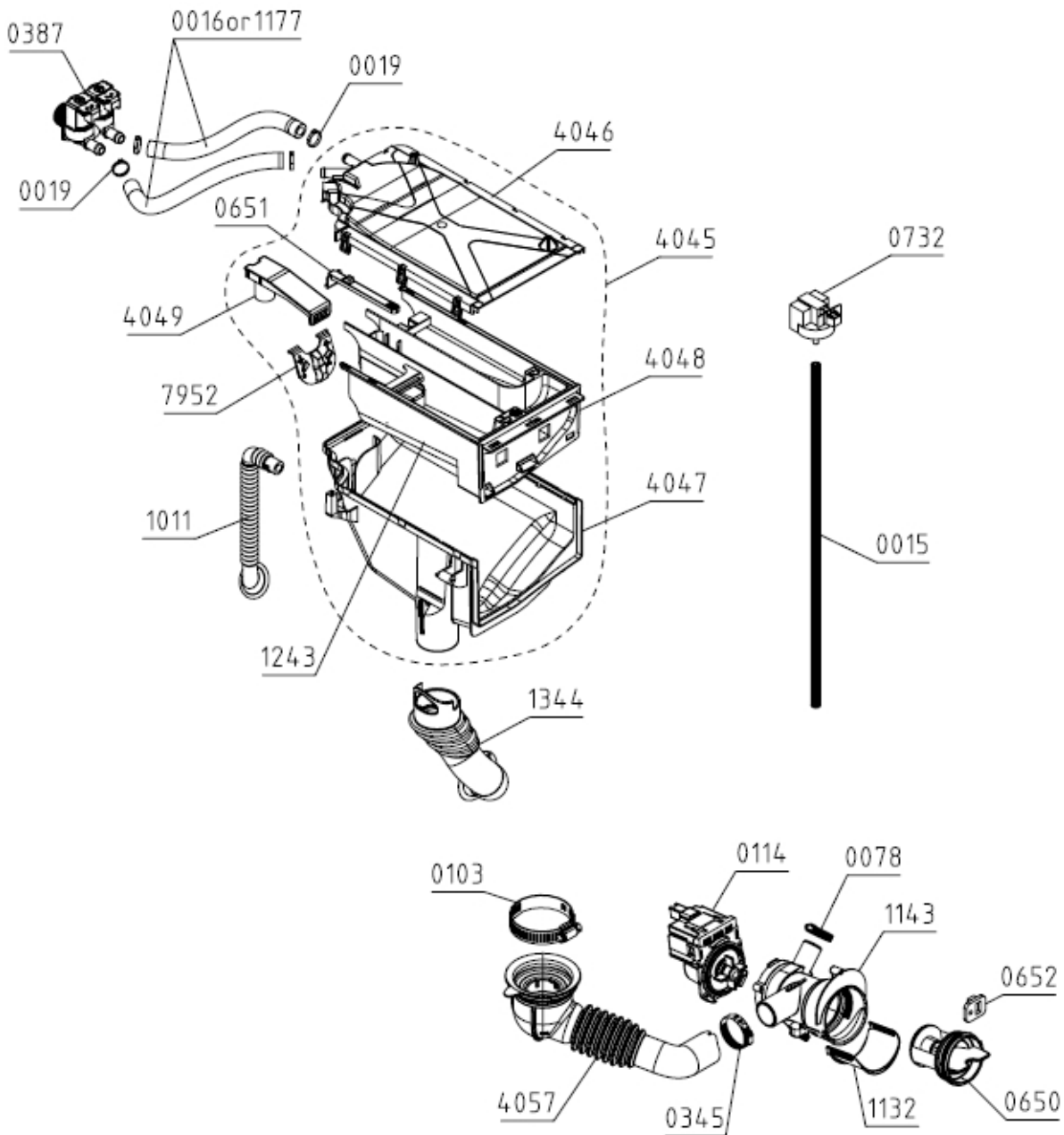
## 023434



Position	Identifiant	Désignation	Quantité	Validité	Référence Pièce
0209	132222	CABLE WITH PLUG H05VV-F3G1.0 1550	1		G132222

Position	Identifiant	Désignation	Quantité	Validité	Référence Pièce
0519	667400	RUBBER SEAL	1		G667400
0523	667401	CLIP FOR INITIATION SLEEVE	1		G667401
0616	658696	TEMPERATURE SENSOR	1		G658696
0656	431466	RFI-FILTER 1,5MH H.A.L.	1		G431466
0672	194555	HEATER CLAMP PS-03 CA	1		G194555
0695	587311	SCREW PT80X50 EJOT A2K	2		G587311
1284	579412	CONTROL UNIT PS-15	1		G579412
4027	579333	DOOR LOCK PS-15	1		G579333
4037	816211	ELECTROMOTOR BPM 54/60 KINGCLEAN	1		G816211
4038	602720	TUB.HEATER 230V/1700W	1		G602720
4042	579009	CONTROL UNIT HOLDER PS-15	1		G579009
7840	829903	SUPPLY UNIT BM-3.33 PS-21/L0-60	1		G829903

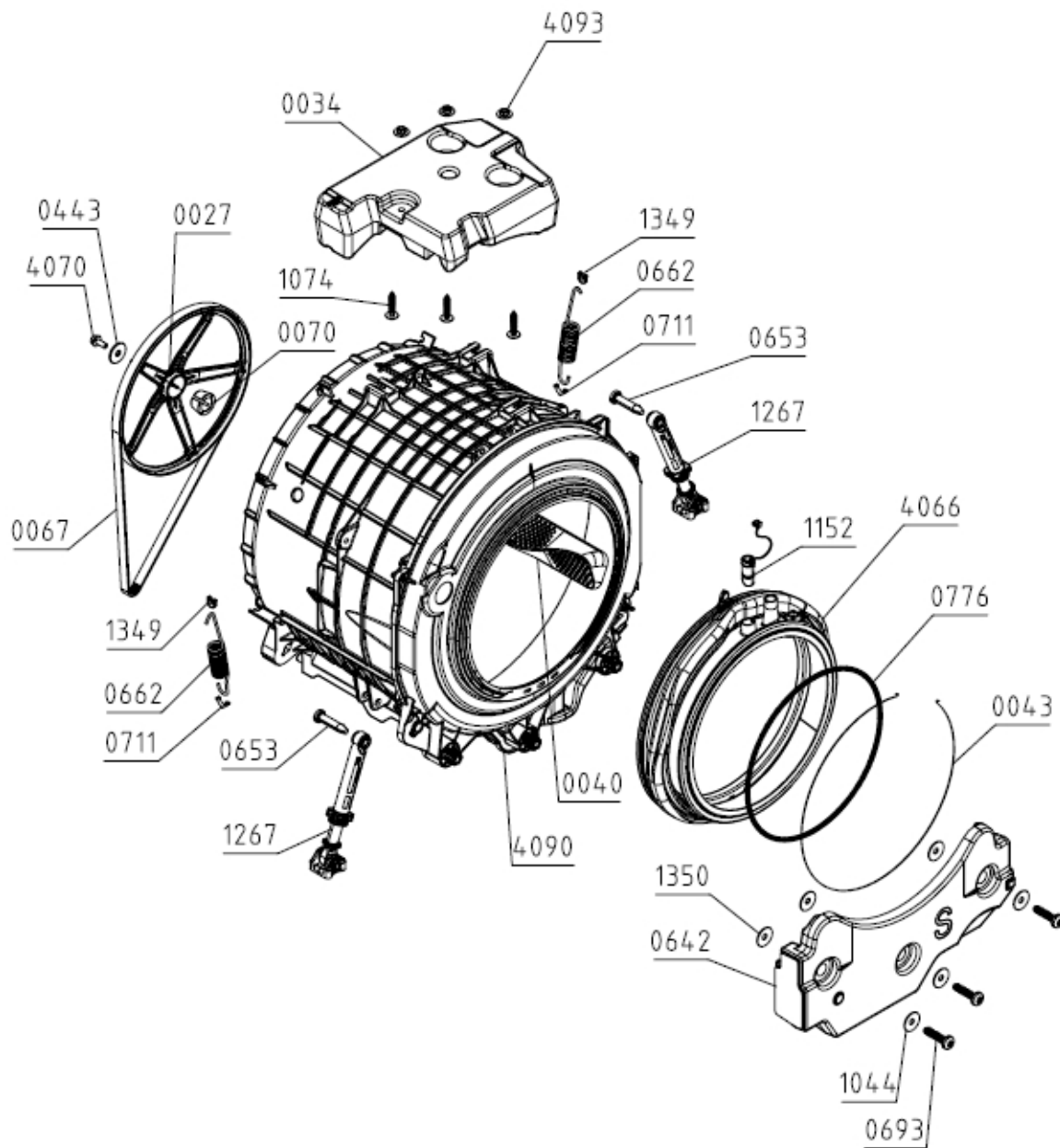
**024420**



Position	Identifiant	Désignation	Quantité	Validité	Référence Pièce
0015	711818	HYDROSTAT HOSE PS-03 L555	1		G711818
0019	314400	CLAMP - PLASTIC D 16	4		G314400
0078	349484	CLAMP - WIRE D 28	1		G349484
0103	548401	CLAMP - WIRE PS D 65	1		G548401
0114	665323	DISCHARGING PUMP T2107 AL ASKOLL	1		G665323
0345	537874	CLAMP - WIRE D 38	1		G537874
0387	789799	ELECTRO VALVE DOUBLE MT ELBI	1		G789799
0650	716300	FILTER INSERTION E PS-15	1		G716300
0651	579171	SNAP PIN PS-15	1		G579171
0652	587438	FILTER SHOCK ABSORBER	1		G587438
0732	797414	WATER LEVEL SENSOR ST-545 NS METALFLEX	1		G797414

Position	Identifiant	Désignation	Quantité	Validité	Référence Pièce
1011	163954	EXHAUSTING HOSE PL.CA PS-06	1		G163954
1132	333909	DISCHARGE CHANNEL PS-10	1		G333909
1143	333903	FILTER BOX PS-10	1		G333903
1177	309930	HOSE PS D15X260	2		G309930
1344	838776	DETERGENT HOSE-TUB PS-20	1		G838776
4045	865319	SOAP DISPENSER BOL PS-15 ASSY	1		G865319
4046	466586	SOAP DISPENSER LID PS-15 ASSY.	1		G466586
4047	865317	SOAP DISPENSER HOUSING BOL PS-15	1		G865317
4048	579190	SOAP DISPENSER DRAWER PS-15	1		G579190
4049	672929	SOFTENER INSERT PS-15	1		G672929
4057	590300	HOSE TUB-FILTER PS-15 KPL	1		G590300
7952	466608	LIQUID DETERGENT INSERT PS-15	1		G466608

**025408**



Position	Identifiant	Désignation	Quantité	Validité	Référence Pièce
0027	339066	BELT PULLEY PS-10	1		G339066
0034	338900	COUNTERWEIGHT - UPPER PS-10	1		G338900
0040	664610	DRUM RIB WITH SHOWER 60 PS-15	3		G664610
0043	853975	WIRE CLAMP D350 ASSY	1		G853975
0067	111622	BELT POLY-V 6EPJ 1260 OPTIBELT	1		G111622
0070	587405	PULLEY SLEEVE 1200 PS-03	1		G587405
0443	234660	WASHER 10,5X36X3	1		G234660
0642	686252	FRONT WEIGHT PS-15	1		G686252
0653	587313	TUB SHOCK ABSORBER PIN PS-03 000	2		G587313
0662	705600	TUB SPRING 60 PS-15	2		G705600
0693	587309	SCREW PT100X50-WN5452-50IP-EJOT-A2K-TORX	3		G587309
0711	587346	SUPPORT SPRING INSERT PS-03 040	2		G587346



Position	Identifiant	Désignation	Quantité	Validité	Référence Pièce
0776	122062	SPRING CLAMP PS-03	1		G122062
1044	819493	DISC SPRING D34/D10,5	3		G819493
1074	290070	SCREW	3		G290070
1267	560111	TUB SHOCK ABSORBER ASSY 54/60 PS-15	2		G560111
1349	857749	SUPPORTING SPRING INSERT-CABINET PS-21	2		G857749
1350	820573	WASHER 45X28X1,5-A2F	3		G820573
4066	576360	DOOR SEAL PS-15	1		G576360
4070	621649	SCREW M10X20-10.9-BR	1		G621649
4090	711417	TUB CA 60-1400 PS-15-S	1		G711417